



# **CARBON FIBRE STRIP**

CFSP-5230

5.5 FEET

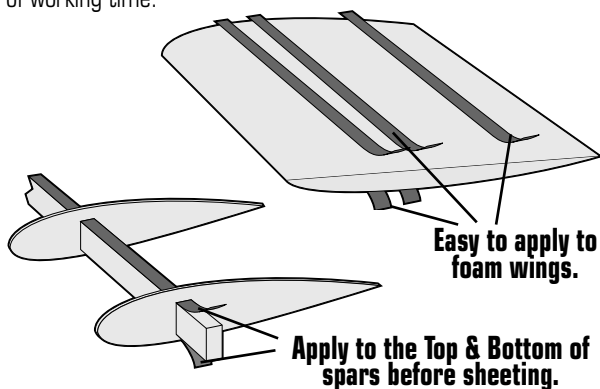
SPACE AGE MATERIAL FOR STRENGTHENING  
FOAM WINGS OR Balsa FUSELAGES.

**DAVE BROWN PRODUCTS INC.**



## **INSTRUCTIONS:**

Dave Brown Products' Carbon Fibre Strip is used to strengthen radio controlled planes, model rockets, sailplanes, etc. Any balsa, foam or wooden structure may be laminated to increase their strength up to 300%. Carbon Fibre Strip is typically applied to opposite sides of wing spars, ribs, fuselages and other structural members. It bonds well with epoxy resins familiar to most modelers, making it relatively easy to use. You can also use cyanoacrylate (instant) glues with good results. Make sure to plan ahead when using instant glues because of the small amount of working time.



1. **CUT** to size using an ordinary pair of scissors. If balsa is used, align fibers with the grain of the balsa. Use caution when handling Carbon Fiber Strip to prevent slivers!
2. **SAND** to rough-up the contact area of the Carbon Fiber Strip using fine sandpaper.
3. **CLEAN** Carbon Fiber Strip using a mild solvent (i.e. alcohol or thinner.)
4. **JOIN** using epoxy or cyanoacrylate glue, making sure to cover the area evenly. Compress for best results.

**CFSP-5230**  
MADE IN USA



7 09471 05230 2

**DAVE BROWN PRODUCTS INC.**

4560 LAYHIGH • HAMILTON, OH 45013